

FIG. 1

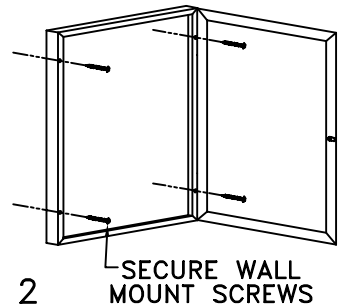


FIG. 2

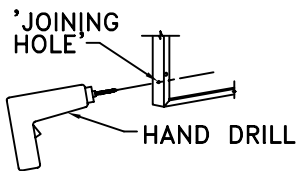


FIG. 3

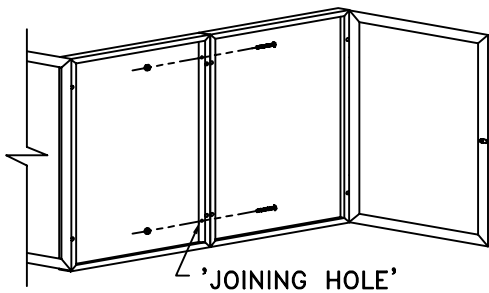


FIG. 4

FOR SINGLE CORNERSTONE UNIT

1. USE PRE-DRILLED MOUNT HOLES AS A TEMPLATE. POSITION CORNERSTONE CABINET AT DESIRED HEIGHT WITH DOOR OPEN AND MARK HOLES. (AS SHOWN IN FIG. 1, RECOMMENDED HEIGHT IS 78" FROM CORNERSTONE CABINET TOP TO FLOOR.)
USE A LEVEL TO INSURE CORNERSTONE CABINET IS HORIZONTAL.

JOINING HARDWARE

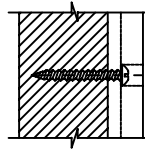
(2) 'JOINING' BOLT & NUT
#10 X 1 3/4"
(INCLUDED)

MOUNTING HARDWARE (NOT INCLUDED)

(4) HOLLOW WALL ANCHOR #8 X 2 1/2" (4) SCREW & ANCHOR #8 X 2 1/2"
MAY BE ACQUIRED FROM LOCAL SOURCES

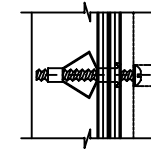
2A. TO MOUNT ON WOOD WALLS...
DRILL 3/32" HOLES AS MARKED.
HOLD CORNERSTONE CABINET WITH DOOR OPEN AND SECURE CABINET TO WALL WITH 4 WOOD SCREWS.
(AS SHOWN IN FIG. 2 & 2A)

FIG. 2A



2B. TO MOUNT ON PLASTERBOARD WALLS...
DRILL 1/4" HOLES, INSERT ANCHOR INTO WALL. SECURE CORNERSTONE CABINET TO WALL WITH 4 SCREWS. (ANCHOR WILL SPREAD AGAINST BACK OF WALL AS SHOWN IN FIG. 2 & 2B)

FIG. 2B



FOR 2 OR MORE CORNERSTONE UNITS

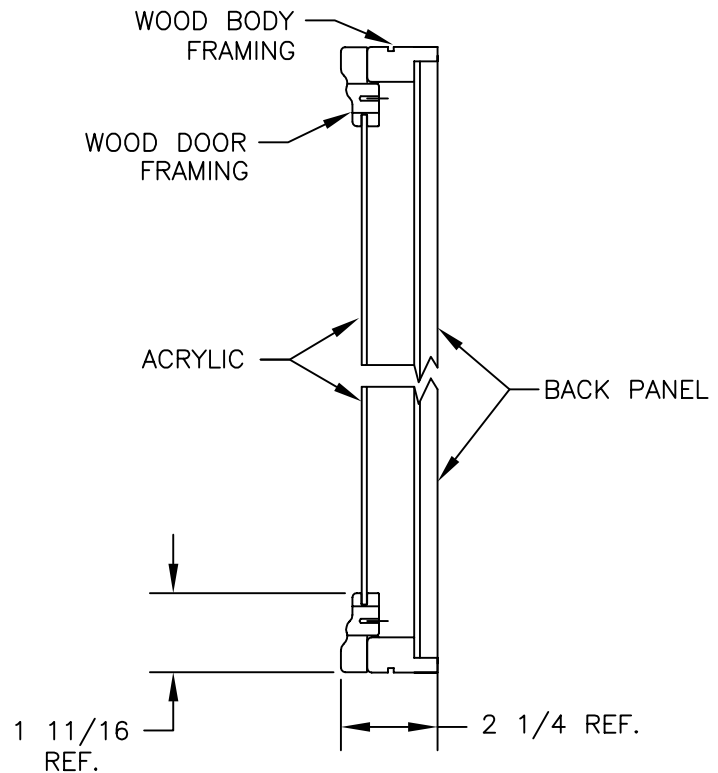
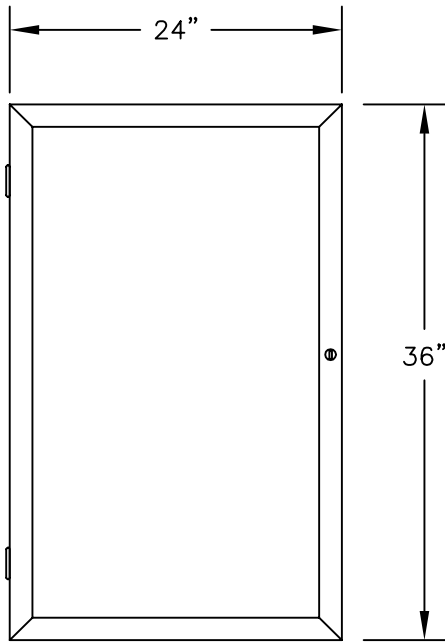
3. USING A 1/4" BIT, BACK DRILL FROM OUTSIDE INWARD AT THE (2) PRE-DRILLED 'JOINING HOLES' IN EACH ADJACENT CABINET AS SHOWN IN FIG. 3.
SEE STEPS 1 AND 2 FOR MOUNTING CABINETS TO WALL LEAVING MOUNTING SCREWS LOOSE.

4. JOIN CORNERSTONE CABINETS TOGETHER SECURELY WITH THE #10 NUT AND BOLT THRU 'JOINING HOLES' AS SHOWN IN FIG. 4. MAKE SURE CABINETS ARE ALIGNED AND LEVEL BEFORE TIGHTENING WALL MOUNTING SCREWS SECURELY TO WALL.

CORNERSTONE MODULAR MESSAGE CENTER
INSTRUCTION SHEET

GHENT
MANUFACTURING INC
IS40207

CORNERSTONE MODULAR MESSAGE CENTER

SIDE SECTION VIEW

Specifications

A cornerstone unit has a unique interconnecting design so that you may add as many units as needed (attachment kit is included). Framing to be clear coated oak. Door lens shall be 1/8" acrylic. Door to be equipped with (2) formed 1-3/8" x 2" hinges and built-in lock with keys. The back panel of the case shall be fitted with optional natural cork surface or black changeable letter panels. Units can be mounted to open from the left or right for flexibility.