

FIG. 1

Assembling the Indoor/Outdoor Sign Holder (fig. 1):

1. Place the base on a flat surface.
2. Position the threaded end of the lower post into the base opening. Turn the lower post clockwise until it locks into position.
3. Slide the upper post into the lower post. Align posts to slide along adjustment locking track.
4. Choose the desired height by sliding the upper post up or down and rotating it until the locking track is seated.
5. Slide the neck of the sign holder over the upper post until the sign holder snaps into position.
6. Position the assembled sign holder to point in the desired direction.
7. If greater stability is required, weight the base by adding water or sand. Remove the base plug and add water or sand. Replace the base plug. Note: Even with the base weighted, the unit may tip over in the presence of strong wind or severe weather.

Using The Director Replacement Signs (fig. 2):

1. Read all product information printed on the package of the Replacement Signs.
2. Write a message with a permanent marker or print with a commercial printer. Be sure to determine direction your sign will point before printing to ensure proper positioning.
3. Peel off backing and apply sign to the Indoor/Outdoor Sign Holder. For best results, apply the Replacement signs when the sign holder is laying on a flat surface (before connecting to the upper post).
4. Repeat the Replacement Sign application on the other side of the sign holder, if a double-sided sign is desired.
5. Additional Replacement Signs may be purchased separately from your authorized Ghent distributor.

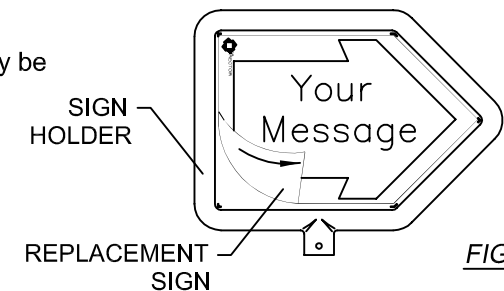
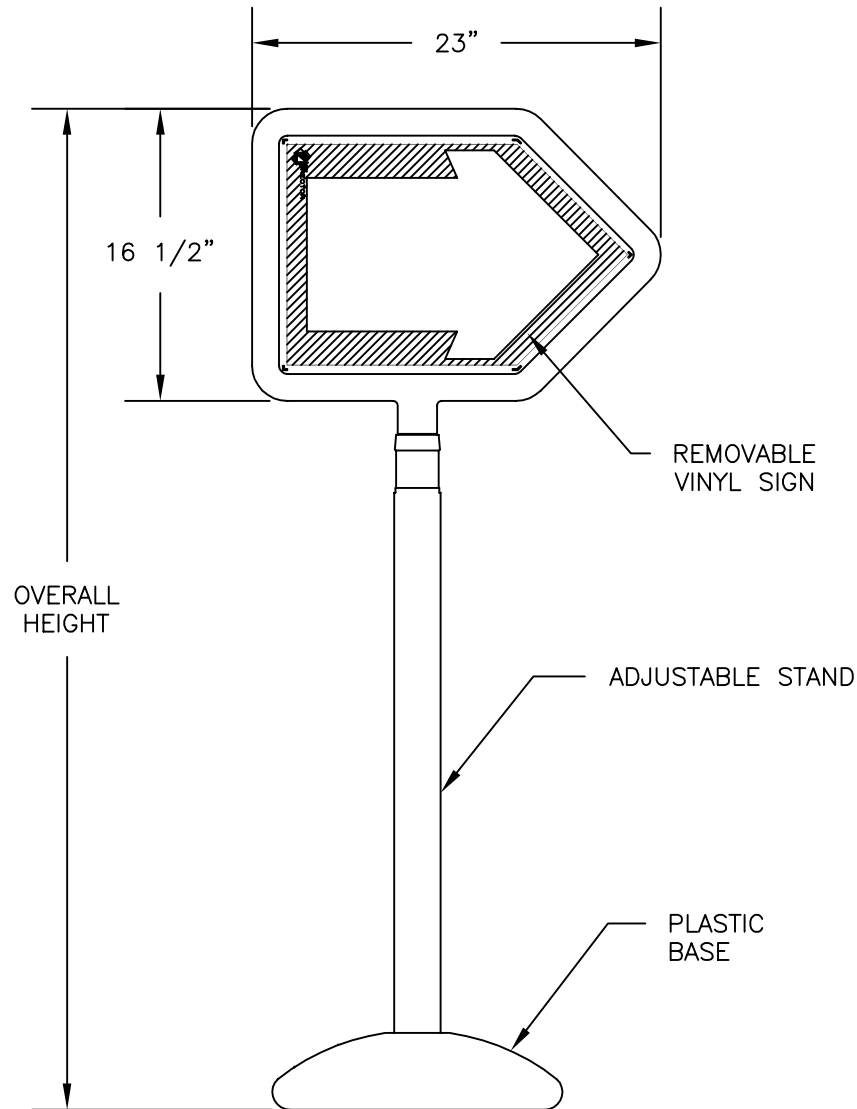


FIG. 2

Series DIRECTOR

INDOOR/OUTDOOR DIRECTOR



Specifications

The Indoor/Outdoor director is an all-weather directional sign that offers a large arrow-shaped surface (16-1/2" x 23") on which Weather-All director series signs can adhere. Two of these signs are included with the Indoor/Outdoor director. The black plastic stand telescopes from 56" to 72" high. The unit is lightweight for ease in moving; add sand or water to the base for extra stability. The blue Weather-All signs which are included can be written on with a permanent marker or can also be professionally printed.