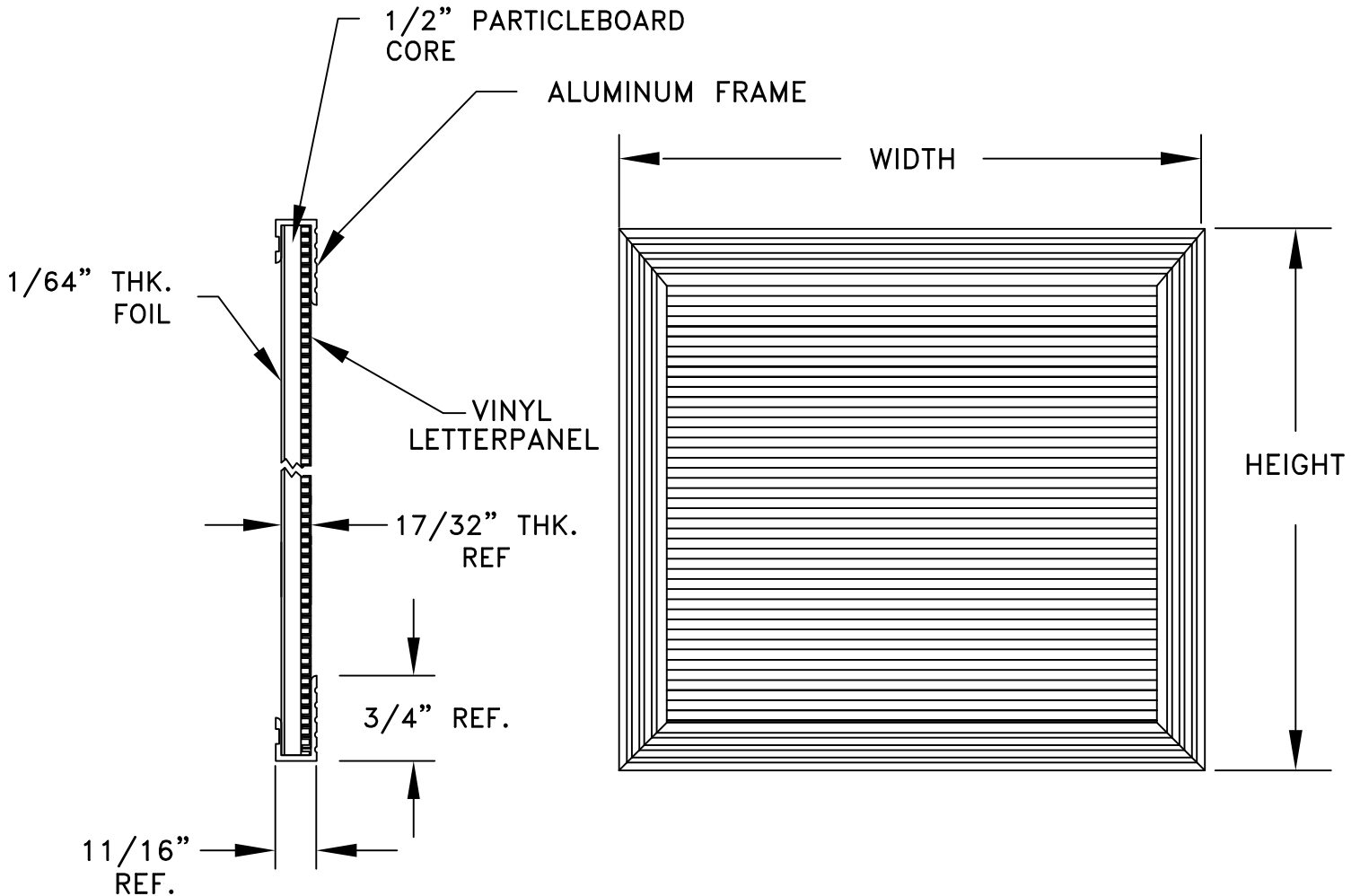


KAHX SERIES

CHANGEABLE LETTER PANEL INSERTS FOR HEADLINER UNITS



Specifications

All exposed metal shall be anodized extruded aluminum 6063-T5. Aluminum framing shall be permanently attached to letterpanel. Available to fit exterior headliner message centers, panels measure from 27"H x 21"W through 38"H x 30"W. Letter panels are available in black, blue, brown and burgundy. The KAHX series has a foil vapor barrier.