

Assembly Instructions:

1. Remove pipe strap from rear of panel using a Phillips screwdriver. Set the two screws and pipe strap aside.
2. Thread the coupler fitting onto the top of the signpost and tighten fully.
3. Align the coupler fitting with the top panel bracket and fasten using the washer, threaded fastener and cap from the bagged hardware. Fully tighten all fittings and fasteners.
4. Replace the pipe strap to the bottom of the panel about the signpost. Fully tighten both screws.
5. Thread the base onto the bottom of the signpost. Tighten fully.
6. Locate your single pedestal message center on a level surface.

Cleaning instructions:

If your single pedestal message center is equipped with an acrylic lens, remove the lens and clean with soap or mild detergent and plenty of water. Use a soft cloth to wipe and dry the acrylic lens. Do not clean the lens with cleaners that contain ammonia or scouring compounds.



The maximum recommended height for your single pedestal message center is 56". Raising the unit to a height exceeding 56" can adversely affect the stability of the message center and result in a tipping hazard.

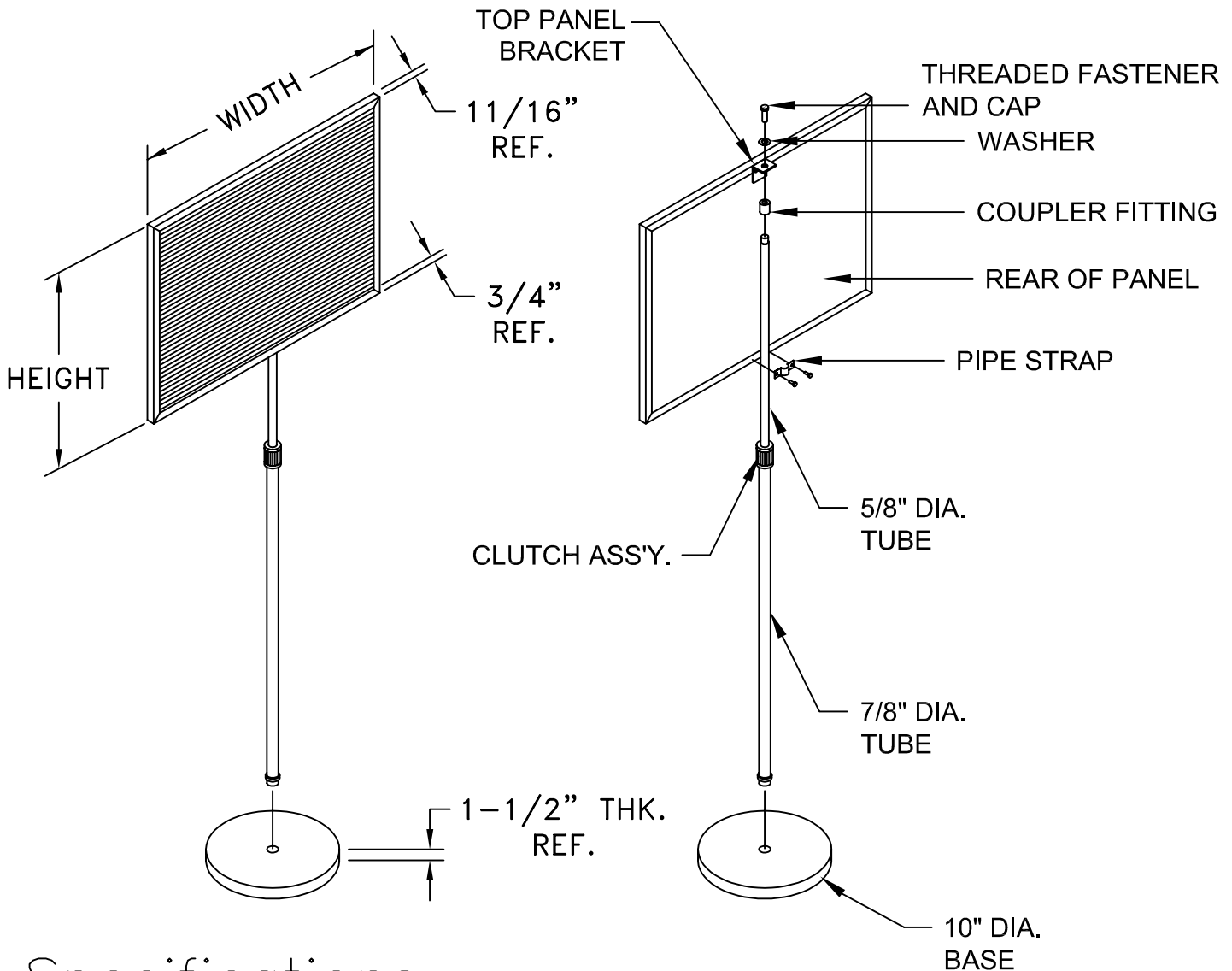
**SINGLE PEDESTAL MESSAGE CENTER
INSTRUCTION SHEET**

GHENT
MANUFACTURING, INC

ISFS8510G

Series PD

Free Standing Message Centers



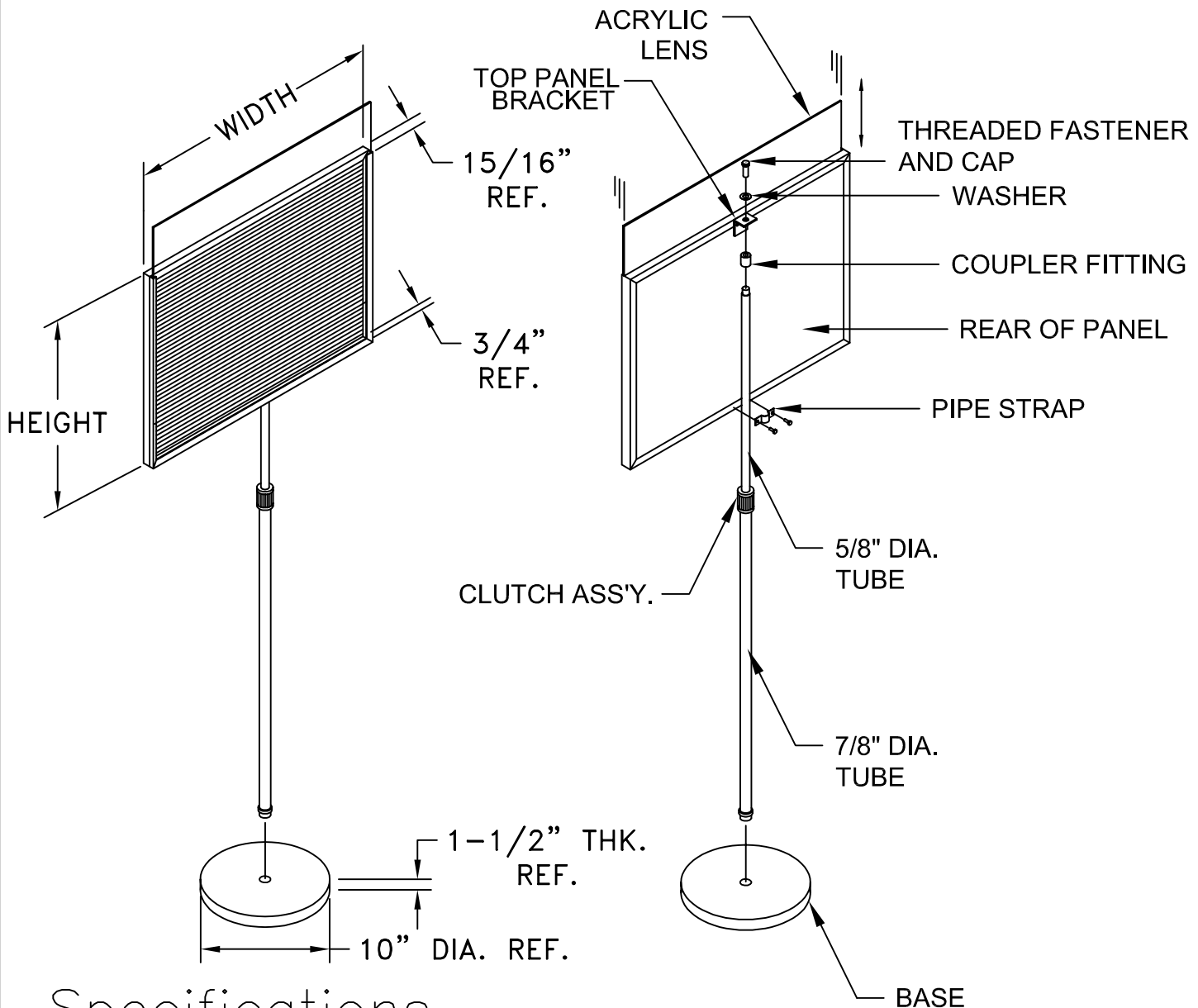
Specifications

Letterboard and cork board framing shall be anodized extruded aluminum 6063-T5. Leg to be chrome plated and base to be black powder coated steel. Framing to be permanently attached to cork or letterboard surface. The self healing tack surface of the cork board is composed of 1/32" thick fine grain natural cork laminated to a sealed 1/2" thick fiberboard. Available with a cork panel size of 18"W x 24"H.

The black letterboard panel is available in 15"W x 20"H and 18"W x 24"H. The letterboard panel is made from 1/4" thick molded plastic panel laminated to 1/4" thick hardboard. The adjustable pedestal base on both units can be raised from an overall height of 49" to a maximum height of 56". Some assembly required.

Series PDP

Free Standing Message Centers



Specifications

Letterboard framing shall be anodized extruded aluminum 6063-T5. Leg is chrome plated and the base is black powder coated steel. Framing is permanently attached to a plastic letterboard surface. The black letterboard panel is available in 15"H x 20"W and 18"H x 24"W. The 1/8" thick acrylic slides in the front track of the body framing. The adjustable pedestal base can be raised from an overall height of 49" to a maximum height of 56". Some assembly req'd. required.