



Model No. NEX106TM



INTERACTIVE

MOBILE

COLLABORATIVE

Think and Contribute –

the Nexus Tablet is a lightweight and portable solution that provides a markerboard workspace for use wherever it is needed.



nexus™
by Ghent

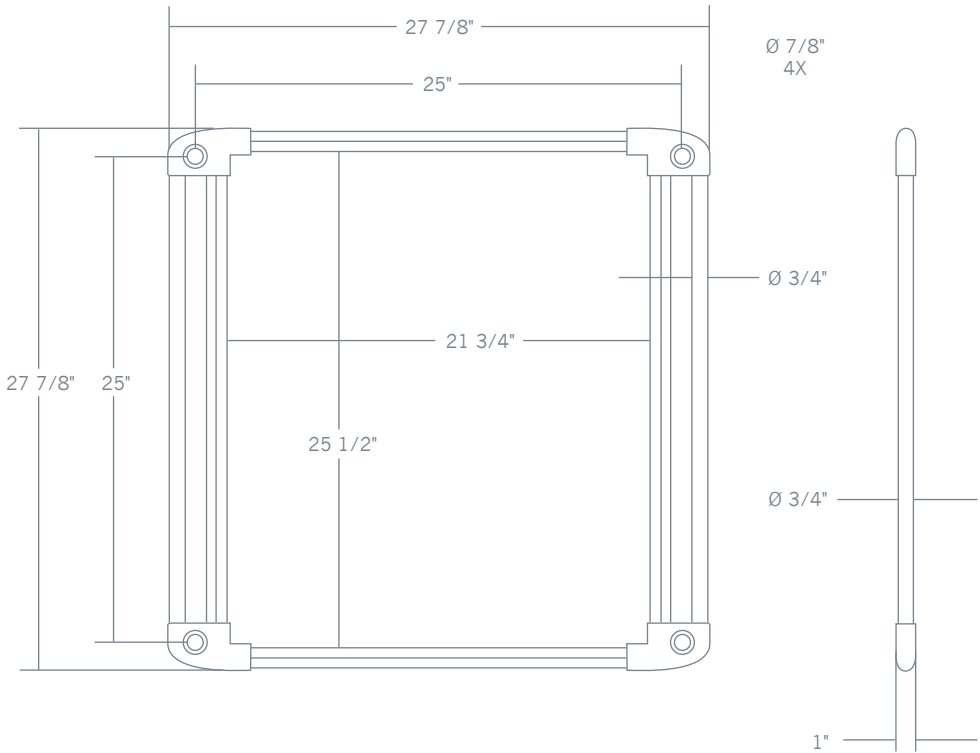
simplifying small group communication



<p>Interactive Connects with the mobile Nexus products or on the wall using X-Pegs™</p>	<p>Mobile Allows handy transport to go and be used wherever a markerboard is needed</p>	<p>Collaborative Conducive for breakout sessions and for capturing free-flow idea generation</p>
--	--	---

Key Features

- Compact – simple to move from room to room for use and to pack away for storage
- Lightweight (approximately 3 lbs) – conducive for breakout sessions away from main presentation area
- Self-contained – uses a combination holder for marker pen and eraser that attaches between the handles and aluminum framing
- Environmentally friendly – more durable, reusable and greener solution than traditional chart pads
- Right-sized – roomy 28" x 28" double-sided, high-pressure laminate markerboard workspace for personal use or group interaction
- Backed by a Ghent 1-year guarantee



Find out more
NexusByGhent.com

Specifications		Model No.
Dimensions	27-7/8" (70.8 cm) x 27-7/8" (70.8 cm) x 3/4" (1.9 cm)	NEX106™
Writing Space	21-3/4" (55.2 cm) x 25-1/2" (64.8 cm)	
Weight	3 lbs	

GHENT
Ghent Manufacturing, Inc.
2999 Henkle Drive
Lebanon, Ohio 45036
T 800-543-0550
P 513-932-3445
F 513-932-9252
ghent.com

